



Reach new height with KEFID

Trapezium Mill



KEFID MACHINERY CO.,LTD

Address: National HI-TECH Industry Development Zone, Zhengzhou, China

E-mail: Sales@kefid.com

Website: www.kefid.com



Brief Introduction:

TGM Series Super Pressure Trapezium Mill is the latest grinding mill. TGM Series Super Pressure Trapezium Mill is researched and designed by our experts basing on long term experiences of mill research and development, and according to numbers of customers' using requirements and suggestions home and aboard. The TGM Series Super Pressure Trapezium Mill adopts our patented technologies, like trapezium working surface, flexible connection, roller linked pressure boost, etc. TGM Series Super Pressure Trapezium Mill has reached the advanced international level of powder making equipment manufacturing.





Advantages:

- 1.The diameters of each part of rollers and rings are different, the upper part is big and the lower part is small, then they formed a trapezium form. This form can reduce materials' sliding speed downwards and prolong the grinding time for materials, thus the grinding efficiency is increased;
- 2.The pressing springs have the functions of balancing and pressure increasing;
- 3.The flexible connection can make the mill stable, decrease the shocking and avoid sympathetic vibration;
- 4.There is a high-efficiency and energy-saving blower installed on the machine. The efficiency of energy saving and high efficient centrifugal blower is as high as 83%;
- 5.The high density classifier impeller decreases the air resistance and increases powder collecting fineness and capacity;



Production line configuration:

TGM Series Super Pressure Trapezium Mill mainly consists of mainframe, speed reducer, classifier, blower, bag filter, piping, cyclone, motor, etc. The peripheral equipments are jaw crusher, bucket elevator, feeder, hopper, electric control panel, etc

Usage:

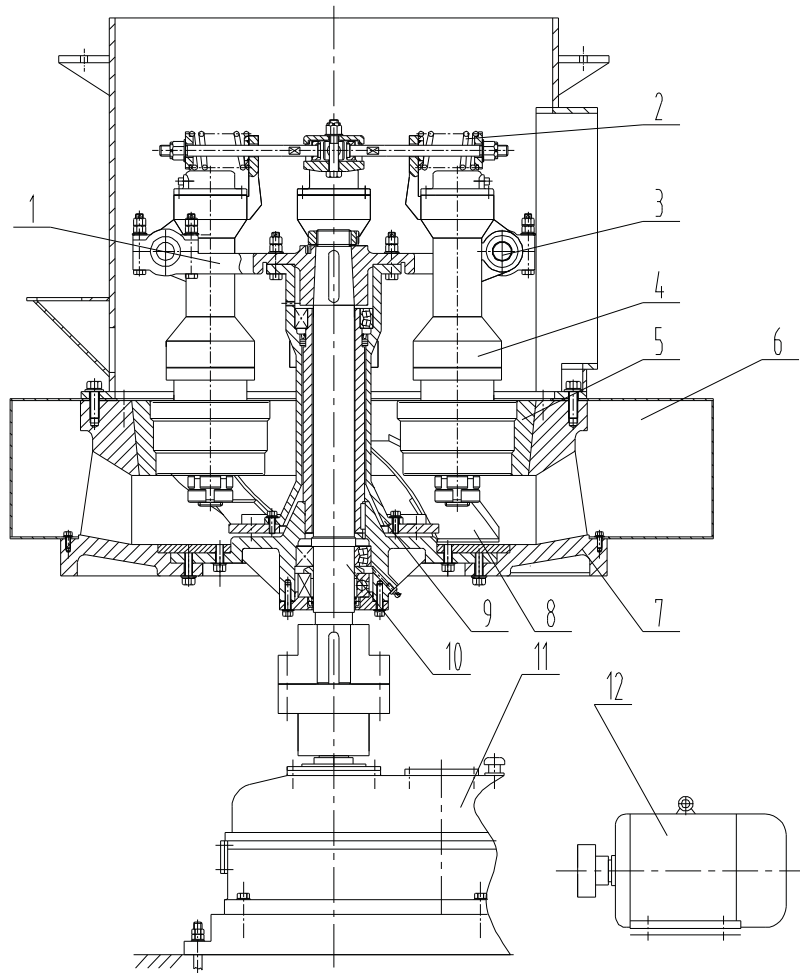
TGM Series Super Pressure Trapezium Mill can grind all kinds of non-flammable and non-explosive minerals with Moh' s hardness lower than 9 and humidity less than 6%, and TGM Series Super Pressure Trapezium Mill is widely used in metallurgy, manufacture of building materials, chemical industry, minig industry, etc.





Working principle:

Firstly, large material is crushed into the size specified (powder or small material is no need to be crushed by Jaw Crusher, then transported into the hopper by bucket elevator vertically, and then fed into the main mill by electromagnetic vibrating feeder continuously and evenly. The ground fine powder in the main mill is carried out by the airflow from the blower, and then separated by the classifier above the main mill. The fine powers are blow into the cyclone collector, where separate with the airflow, and are poured out through the discharge valve as the final products and the rough stuff after the classifying will be recycled back into the grinding chamber for regrinding. Machine' s airflow system is closely sealed up and circulated under condition of negative and positive pressure.



Structure for Main Mill

- | | | | | |
|--------------------------------|-------------------|--------------------|-------------------|---------------|
| 1-quincunx-rack | 2-pressure spring | 3-horizontal shaft | 4-roller assembly | 5-ring |
| 6-snail shell for entering air | 7-seat | 8-shovel | 9-shovel frame | 10-main shaft |
| 11-gear box | 12-motor | | | |



Technical Data:

Data Item		Model	TGM100	TGM130	TGM160
Max. input (mm)			25	30	35
Output size(mm)			1.6-0.045 0.038 (the finest)	1.6-0.045 0.038 (the finest)	1.6-0.045 0.038(the finest)
Main mill speed(r/min)			130	103	82
Roller	Quantity		4	5	6
	Dia (mm)		Φ320	Φ410	Φ440
	Height (mm)		200	240	270
Ring	Dia (mm)		Φ980	Φ1280	Φ1600
	Height (mm)		200	240	270
Main mill	Type		Y225M-4	Y280S-4	Y135M1-4
	Power(kw)		45	90	132
	Velocity(r/min)		1480	1480	1480
Capacity (t/h)			3~8	6~15	9~22
Overall Dim(mm)			9910×5365×8310	7910×7000×9645	12550×5700×8355
Weight (t)			16	26.1	35

Remarks: Capacity is based on grinding limestone, 80% passing-through.

Basic Data	Item	Unit	Specifications & Technical Data			
			TGM100	TGM130	TGM160	
Motor for main frame	Model		Y225M-4	TGM130	TGM160	
	Power	KW	45KW	Y280M-4	Y315M1-4	
	Rev.	Rpm	1480	90	132	
Motor for Separator	Model		YCT200-4A	YCT200-4B	YCT225-4A	
	Power	KW	5.5	7.5	11	
	Rev	Rpm	125-1250	125-1250	125-1250	
Motor for Elevator	Model		Y100L-4	Y100L-4	Y112M-4	
	Power	KW	3	3	4	
	Rev	Rpm	1420	1420	1420	
Motor for Blower	Model		Y225S-4	Y280S-4	Y315S-4	
	Power	KW	37KW	75	110	
	REV	Rpm	1480	1480	1480	
Motor for Jaw Crusher	Model	PE	200×350	250×400	250×400	250×1000
			Y160M-6	Y180L-6	Y180L-6	Y200M-6 22
	Power	KW	7.5	15	15	30
	REV	Rpm	970	970	970	
Electro-Magnetic Vibrating Feeder	Model		GZ2F	GZ2F	GZ3F	
	Power	W	150	150	200	



KEFID MACHINERY CO.,LTD

Address: National HI-TECH Industry Development Zone, Zhengzhou, China

Tel: 0086-371-67999255 0086-371-67988500

Fax: 0086-371-67998980

Zip Code: 450001

Website: www.kefid.com

E-mail: Sales@kefid.com

