

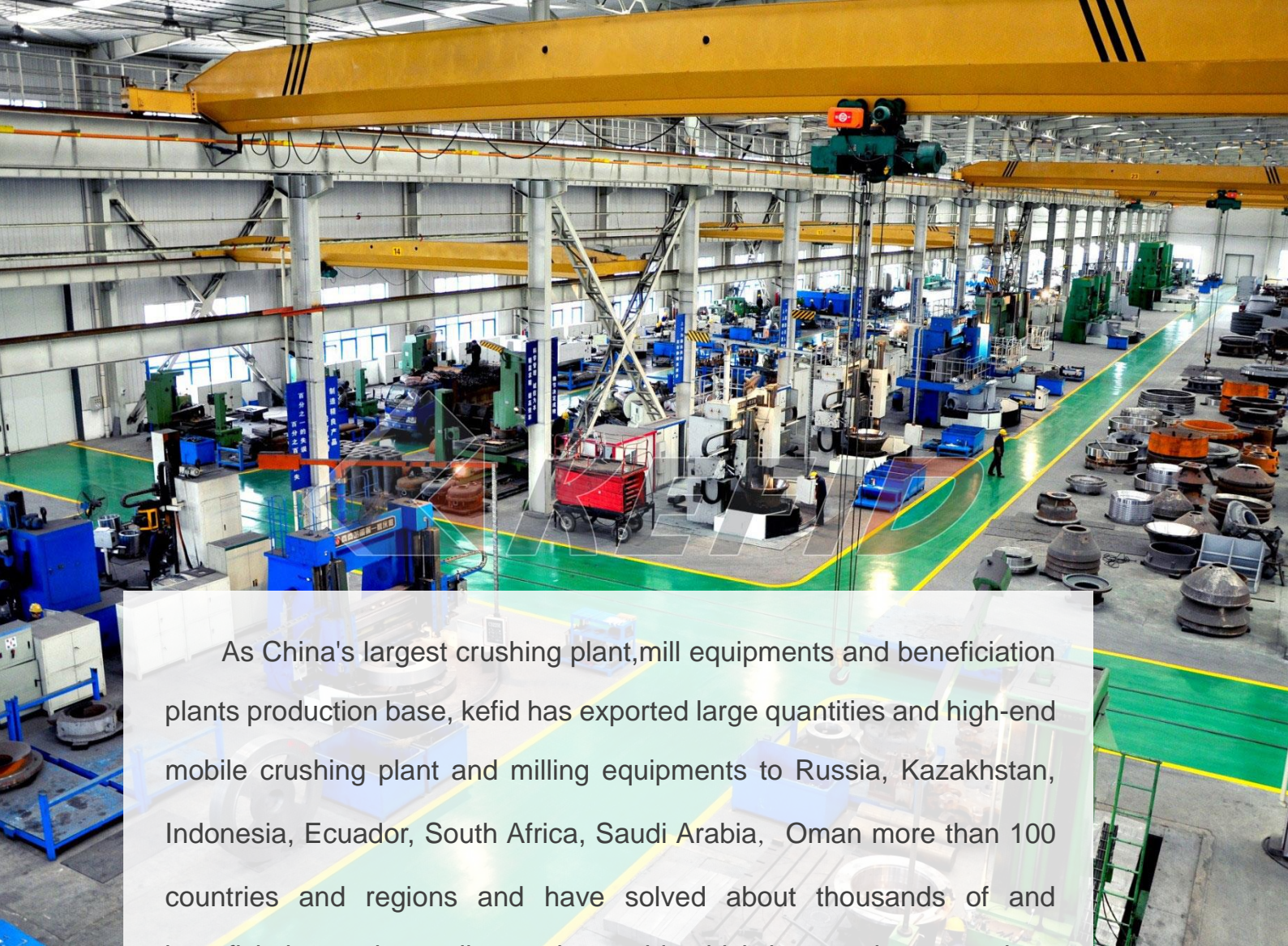


HPT Cone Crusher

Reach new height with KEFID

- The production increases 40%
- Improved the humanized operation
- Reasonable graduation and better shape
- The performance is safer and more stable





As China's largest crushing plant, mill equipments and beneficiation plants production base, kefid has exported large quantities and high-end mobile crushing plant and milling equipments to Russia, Kazakhstan, Indonesia, Ecuador, South Africa, Saudi Arabia, Oman more than 100 countries and regions and have solved about thousands of and beneficiation projects all over the world, which has made tremendous contributions to the local construction, mining industry and developments.

HPT Cone Crusher is designed to meet clients' request of the high outputs, excellent product fineness and economical running costs. HPT cone crusher introduced the Germany technology, not only improves the production capacity and crushing efficiency, but also widens applying area, hardness range of materials from limestone to basalt. HPT cone crusher is an ideal crusher for large stone crushing factory and mining industry.



Compared with spring cone crusher and general hydraulic Cone Crusher

The HPT Cone Crusher own the more excellent performance

- 1.High crushing ratio and production efficiency
- 2.Less spare part consumption and low operation cost
- 3.Between-layer pressuring crushing and better finished product shape
- 4.Hydraulic protection and hydraulic cavity clearing, high automatization and less stopping production and repairing time
- 5.Thin oil lubrication makes the life time increased
- 6.Various crushing cavity
- 7.Easy maintenance and operation
- 8.The crusher can provide customers larger capacity, better product shape, and easy operation





Secondary Mobile • Mobile Cone Crusher

Main Features

Add the adjustable function of vibrating screen installation angle, and strengthen the whole machine's production capacity.

Flexible and motorized parking function, and start the work mode quickly.

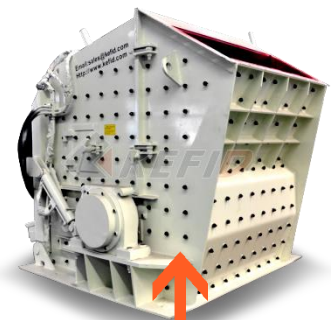
Possess the crushing unit interchangeable system and screening unit interchangeable system, satisfy different kind of production need.

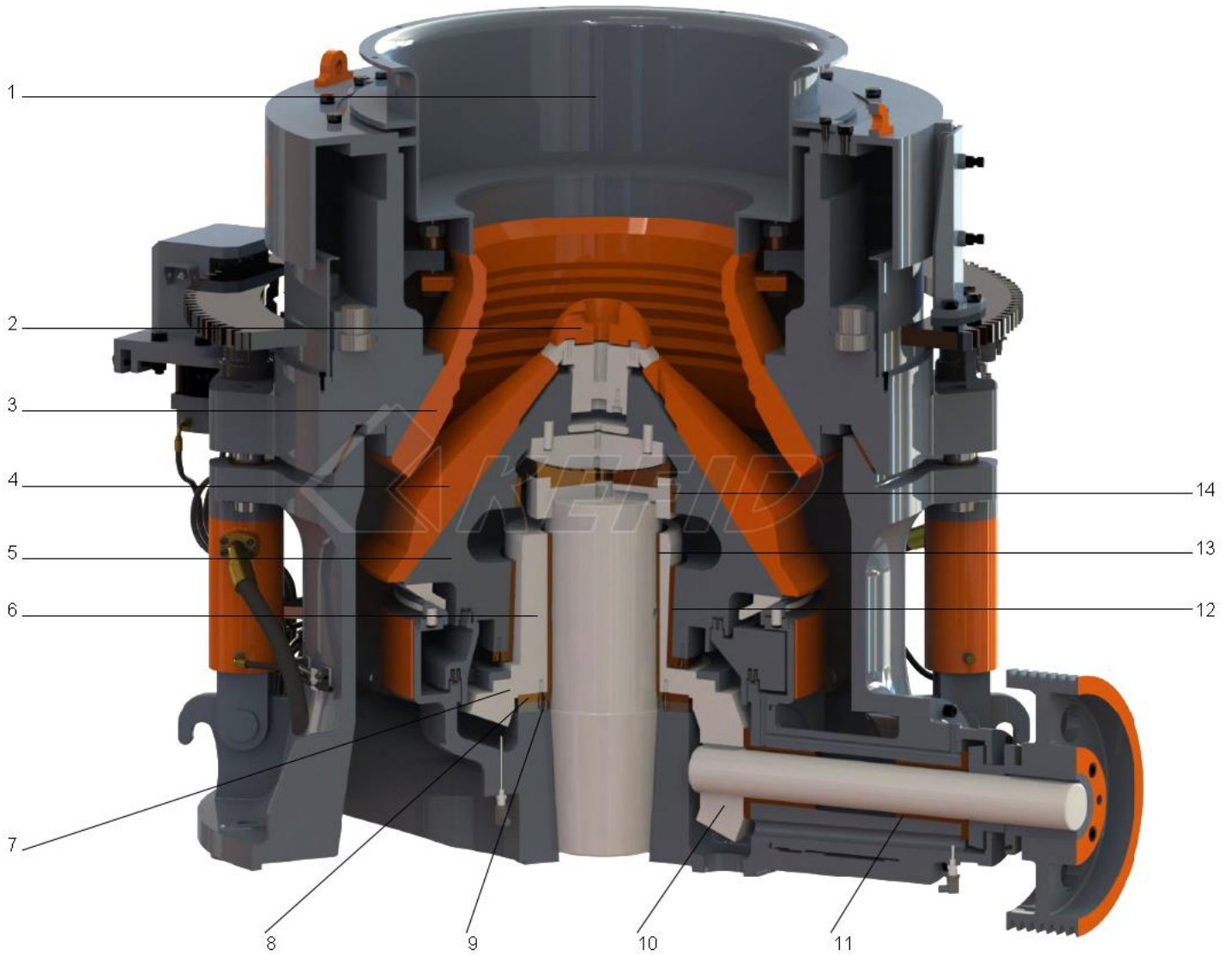
Anytime, anywhere, transformation and upgrade

Mobile Cone Crusher is another kind of mobile crushing unit, mainly to satisfy different requirement of final products. Cone crusher replaces impact crusher to produce much harder and fine stone or sand products.

Extended functions

Impact crusher and cone crusher interchange system: One automobile body is common used in multiple type of machine, crushing unit interchange system and screening unit interchange system, only need to invest on single machine, in a short time, crushing unit interchange system and screening unit interchange system used in the same automobile body can be come true in the mine site, all the system in the overall unit match perfectly.





1- Hopper

2- Ram

3- Mantle

4- Concave

5- Movable head assembly

6- Eccentric bushing assembly

7- Bevel gear

8- Upper friction plate

9- oil seats

10- Pinion

11- Shaft bushing

12- Eccentric bushing assembly

13- Bushing

14- Loosing bushing

HPT Cone Crusher Main Technical Data

Type	Cavity (coarse/fine)	Min. discharge size (mm)	Open Side Setting(mm)	Capacity (t/h)	Power (kW)
HPT-200	C	13	150	120-240	160
	F	6	76	55-180	
HPT-300	C	20	240	190-380	250
	M	16	190	175-320	
	F	13	145	110-260	
	EF	10	120	100-240	
HPT-400	C	13	290	190-610	315
	F	6	100	108-320	
HPT-500	C	30	320	380-700	400
	EF	13	150	200-430	

Note: The theoretical capacity mentioned above would change with different parameter and raw material.



The Analysis of Large-scale Sand Production Line



Kefid 200-250tph granite crushing line in Russia



MATERIAL: granite

OUTPUT SIZE : 0-5-13-19-25-40-70mm

FEEDING SIZE : 630mm

CAPACITY : 200-250T/h

EQUIPMENT : GZD1300X4900+PE750X1060+GZG100-4(5)

+HPT300/C(1)+4YZS2460(1)+3YZS2460

Kefid 200tph andesite crushing line in Kalimantan



MATERIAL: andesite

OUTPUT SIZE : 0-10mm, 10-20mm, 20-30mm, 30-50mm

FEEDING SIZE : 600mm

CAPACITY : 200T/h

EQUIPMENT : HPT300/C hydraulic cone crusher,

PE750x1060 jaw crusher.



The Strength of Kefid

Kefid Machinery is a leading and pioneering enterprise with the most advanced international level in R&D, manufacturing and selling of large-scale crushing & screening plants and beneficiation plants. Located in a historic city and transportation hub in central China-Zhengzhou, covering 140 thousand square meters, Kefid has Shangjie and High-tech zone two production bases. Shangjie Zone which covers 80,000 square meters has three heavy-duty and modern integrated assembling workshops--occupying 50,000 square meters; High-tech zone has 22 floors R&D Management laboratory building with 26,000 square meters, comprehensive equipments exhibition hall with 5,100 square meters, heavy-duty and modern integrated assembling workshop with 10,000 square meters, and also has the industry's most advanced machining workshop 20,000 square meters, and hundred sets of advanced large-scale vertical lathe, fixed lathe, planner, boring lathe, grinder and milling machines.



SERVICE-With Me- Enjoy your pleasant journey

Your profit is our greatest concern and your praise is the biggest compliment that we diligently strive for. Our aim is, with the core of service, tailored for you the most valuable products with comprehensive pre-sale, sale and after sale service.

Tel: 0086-371-67999255

Email: Sales@kefid.com



SPARE PARTS

HPT Cone Crusher



Mantle



Compression ring



Pressing cap



Bowl liner



Hammer

Crushing Plant



Rotor Assembly



Liner Board



Hammer Bar



Wedge



Impact Plate

Sand-making Equipment



Circum Guard plate



Impact Plate



Impact Block



Hammer



wearproof Plate

PRODUCT LIST

Stationary Crushers

JC Series Jaw Crusher
Jaw Crusher
C6X Series Jaw Crusher
Primary Impact Crusher
CI5X Series Impact Crusher
Impact Crusher
CS Cone Crusher
Spring Cone Crusher
HPT Cone Crusher
Deep Rotor VSI Crusher
B Series VSI Crusher
VSI6S vertical shaft impact crusher

VU System Equipment

Dry Sand Making System
Dry-Mixed Mortar Sand Making Equipment
Concrete-Use Sand Making Equipment

Grinding Mills

Ultra Fine Vertical Grinding Mill
VM - Vertical Grinding Mill
European Tech. Grinding Mill
Micro Powder Mill
Raymond Mill
Ball Mill

Washing & Screening

F5X Heavy Vibrating Feeder
Screw Sand Washing Machine
Wheel Sand Washing Machine
Vibrating Feeder
Belt Conveyor

K series mobile plants

Primary mobile crushing plant
Mobile Secondary Crushing & Screening Plant
Independent Operating Combined Mobile Station
Fine crushing and screening mobile station
Fine crushing & washing mobile station
Three combinations mobile crushing plant
Four combinations mobile crushing plant

Crawler Mobile Crusher

Ore Beneficiation

Jaw Crusher
HPT Cone Crusher
Ball Mill
Rotary Kiln
Flotation Machine
High Gradient Magnetic Separator

Address: National HI-TECH Industry Development Zone.Zhengzhou,China.

Tel : 0086-371-67999255(24 Hour) / 67988500

Fax: 0086-371-67998980

Zip code: 450001

Email: sales@kefid.com

Web: <http://www.kefid.com>

