

Micro Powder Mill

Reach new height with KEFID

- The fineness of the product can reach $D_{97} \leq 5\mu\text{m}$
- Low investment and high production
- Excellent wear-resistant material
- Using Impulse Bag Filter





As China's largest crushing plant, mill equipments and beneficiation plants production base, kefid has exported large quantities and high-end mobile crushing plant and milling equipments to Russia, Kazakhstan, Indonesia, Ecuador, South Africa, Nigeria, Turkey more than 100 countries and regions and have solved about thousands of and beneficiation projects all over the world, which has made tremendous contributions to the local construction, mining industry and developments.

Micro Powder Grinding Mill is a new type of mill for making super fine powder through more than 20 times of test and improvement. The fineness can reach to 0.006mm; Micro Powder Mill is mainly used for processing gypsum, calcspar, talc, and other materials used in painting, pigment and cosmetics industry. Compared with jet mill, It is economic-cost, high-capacity, and the spare parts just need to exchange once a year; The bag filter is added to protect the environment.



HGM Series Micro Powder Mill is of high production, low investment, much greater reliability.

1. Low investment. Compared with jet mill, agitation and ball mill, if the fineness and motor power is the same as each other, its cost is low and its collection cycles is short.

2. Low loss. All the wearing parts adopt the excellent wear-resistant material from domestic and overseas. Compared with the ordinary grinding mills, the life time of the wearing parts is longer and can reach to more than one year.

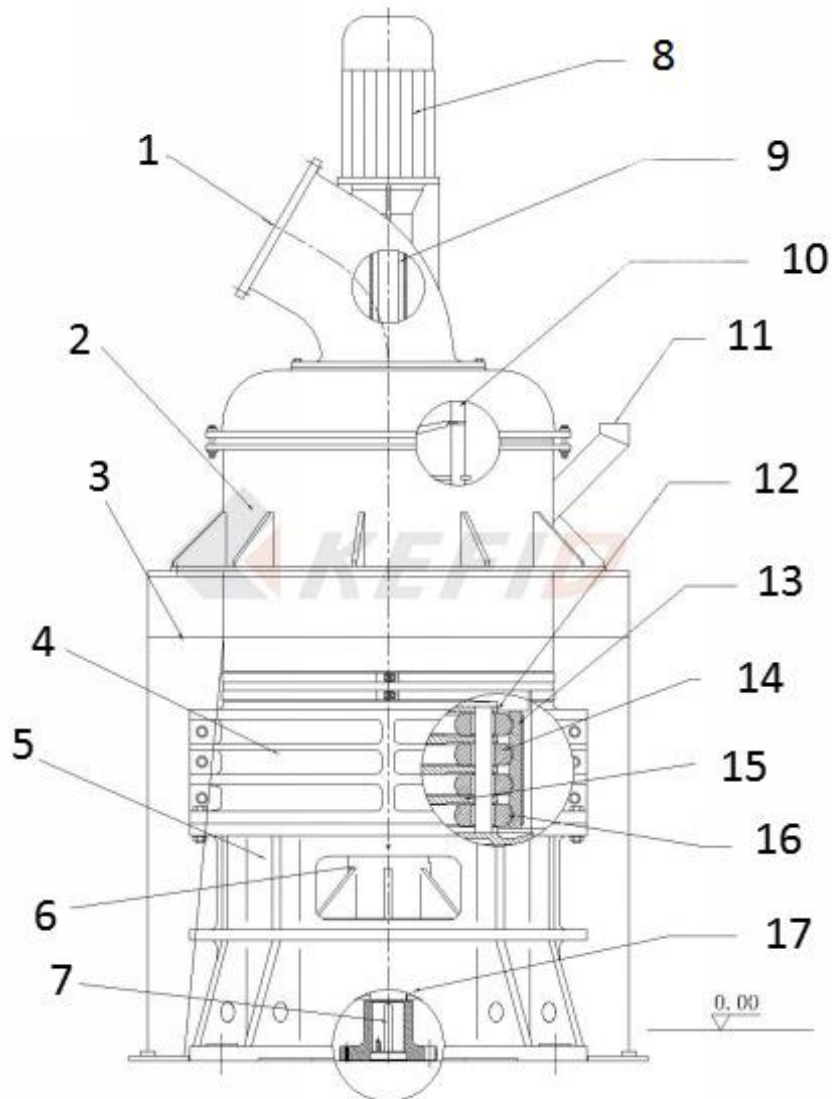
3. High production. Compared with jet mill, agitation and ball mill, if the fineness and motor power is the same as each other, the production increased 45%.

4. High safety and reliability. There are no rolling bearings and bolts in grinding chamber, so problems caused by bolts shedding or wear of bearing and seal components will never happen.

5. High fineness of products. The product fineness can reach $D_{97} \leq 5 \mu\text{m}$.

6. Environmentally friendly. The application of pulse dust collector and muffler greatly reduce dust pollution and noise.





- | | |
|--|---------------------------------|
| 1-The discharge opening of the separator | 10- Classifier impeller |
| 2- The body of the separator | 11- Inlet mouth |
| 3- The support of the separator | 12- Upper distributing plate |
| 4- Shell | 13- Ring |
| 5- Seat | 14- Roller |
| 6- Boaring bush | 15- Turn plate |
| 7- Main unit | 16- Lower distributing plate |
| 8- Classifier motor | 17- Coupling to connect gearbox |
| 9- Classifier shaft | |

Technical Parameters of Micro Powder Mill

Mm to inch conversion: 25.4millimeters=1 inch

The humidity and hardness of raw material will affect the fineness and capacity.

Item	HGM8021	HGM9024	HGM10027	HGM10036	HGM125
No. of Roller(pcs)	21	24	27	36	44
Ring diameter(mm)	Φ800	Φ900	Φ1000	Φ1000	Φ1300
Layer of ring(pcs)	3	3	3	4	4
Rotary speed of main shaft(t/min)	230	200	180	180	135
The Max. Feeding Size(mm)	<20	<20	<20	<20	<20
Output size(micron/mesh)	5-47	5-47	5-47	5-47	5-47
Capacity (kg/h)	0.4-4.5	0.4-5.5	0.6-6.5	1-8.5	1.5-13
Overall dimension(m)	13.9×4×6.2	14.7×4.8×7.2	18×4.6×8.4	18×4.6×8.6	14×9×10.2

Power

Item	HGM80	HGM100A	HGM100B	HGM125
Main Unit(KW)	55-75	110	110-132	160-185
Classifier(KW)	18.5	37	37	45
Blower(KW)	45	75	75	2×55
Crusher(KW)	11	18.5	18.5	18.5-45
Bucket Elevator(KW)	3	3	4	4
Spiral Conveyor(KW)	3	3	3	2×4
Discharging Valve(KW)	2×0.75	3×0.75	2×0.75,1×1.1	4×1.1
Air Compressor(KW)	7.5	15	15-22	2×15

Note: Any change of Micro Powder Mill technical data shall not be advised additionally.

The analysis of large-scale grinding plant



Kefid **5TPH** Limestone grinding plant in Colombia



Processed Material: Limestone

Maximum feeding size: 200mm

Output size: 500mesh

Capacity: 5tph

Equipment: HGM100 Micro powder mill

Kefid **2.5TPH** Limestone grinding plant in Kenya



Raw Material: limestone

Output size: 2400mesh

Capacity: 2.5t/h

Equipment: HGM80 Micro powder mill



The Strength of Kefid

Kefid Machinery is a leading and pioneering enterprise with the most advanced international level in R&D, manufacturing and selling of large-scale crushing & screening plants and beneficiation plants. Located in a historic city and transportation hub in central China-Zhengzhou, covering 140 thousand square meters, Kefid has Shangjie and High-tech zone two production bases. Shangjie Zone which covers 80,000 square meters has three heavy-duty and modern integrated assembling workshops--occupying 50,000 square meters; High-tech zone has 22 floors R&D Management laboratory building with 26,000 square meters, comprehensive equipments exhibition hall with 5,100 square meters, heavy-duty and modern integrated assembling workshop with 10,000 square meters, and also has the industry's most advanced machining workshop 20,000 square meters, and hundred sets of advanced large-scale vertical lathe, fixed lathe, planner, boring lathe, grinder and milling machines.



SERVICE-With Me- Enjoy your pleasant journey

Your profit is our greatest concern and your praise is the biggest compliment that we diligently strive for. Our aim is, with the core of service, tailored for you the most valuable products with comprehensive pre-sale, sale and after sale service.

Tel: 0086-371-67999255

Email: Sales@kefid.com



SPARE PARTS

Grinding Plant



Ring



Roller



Shovel Base



Hinged support



Classifier Impeller

Crushing Plant



Weights for movable



Fixed jaw plate



Movable jaw plate



Lining board



wedge

Sand-making Equipment



Circum Guard plate



Impact Plate



Impact Block



Hammer



wearproof Plate

PRODUCT LIST

Stationary Crushers

JC Series Jaw Crusher
Jaw Crusher
C6X Series Jaw Crusher
Primary Impact Crusher
C15X Series Impact Crusher
Impact Crusher
CS Cone Crusher
Spring Cone Crusher
HPT Cone Crusher
Deep Rotor VSI Crusher
B Series VSI Crusher
VSI6S vertical shaft impact crusher

VU System Equipment

Dry Sand Making System
Dry-Mixed Mortar Sand Making Equipment
Concrete-Use Sand Making Equipment

Grinding Mills

Ultra Fine Vertical Grinding Mill
VM - Vertical Grinding Mill
European Tech. Grinding Mill
Micro Powder Mill
Raymond Mill
Ball Mill

Washing & Screening

F5X Heavy Vibrating Feeder
Screw Sand Washing Machine
Wheel Sand Washing Machine
Vibrating Feeder
Belt Conveyor

K series mobile plants

Primary mobile crushing plant
Mobile Secondary Crushing & Screening Plant
Independent Operating Combined Mobile Station
Fine crushing and screening mobile station
Fine crushing & washing mobile station
Three combinations mobile crushing plant
Four combinations mobile crushing plant

Crawler Mobile Crusher

Ore Beneficiation

Jaw Crusher
HPT Cone Crusher
Ball Mill
Rotary Kiln
Flotation Machine
High Gradient Magnetic Separator

Address: National HI-TECH Industry Development Zone.Zhengzhou,China.

Tel : 0086-371-67999255(24 Hour) / 67988500

Fax: 0086-371-67998980

Zip code: 450001

Email:sales@kefid.com

Web: <http://www.kefid.com>

